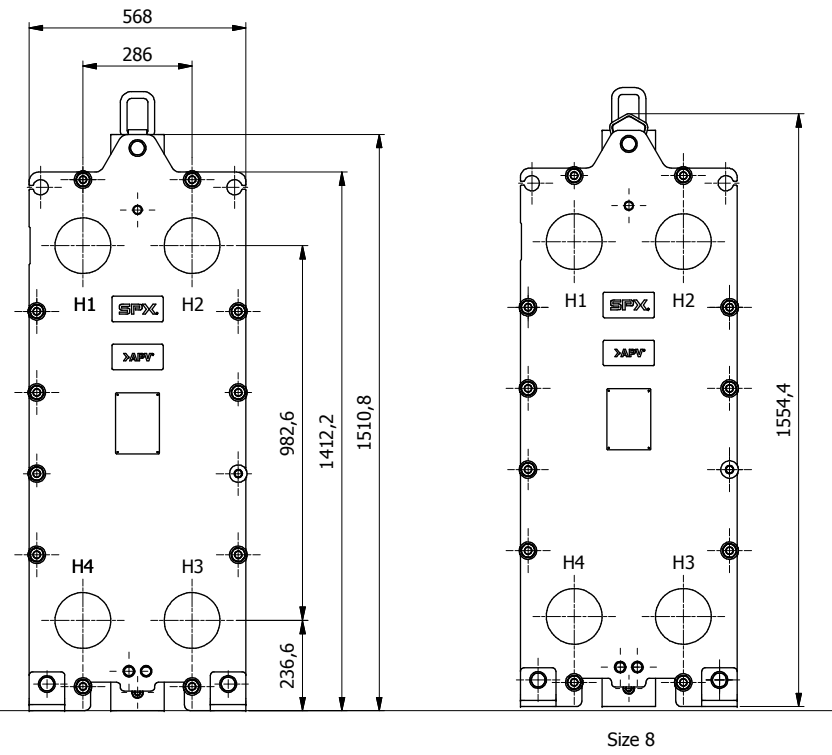
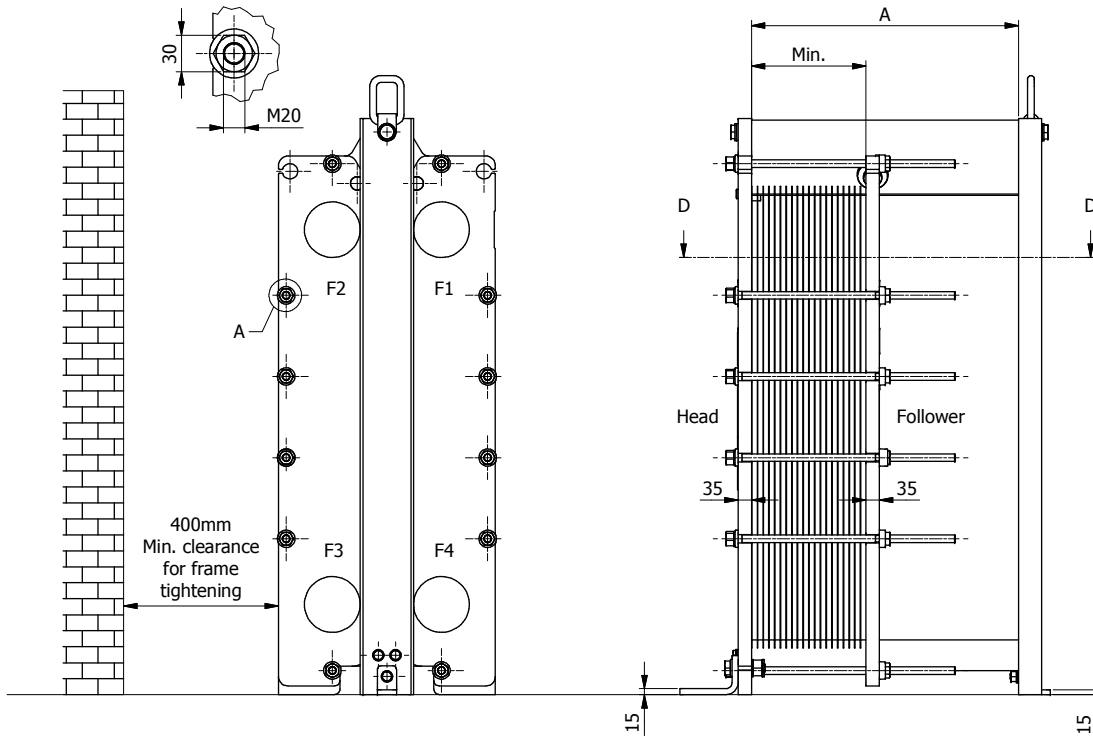
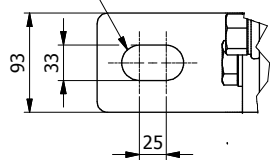


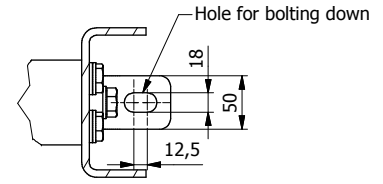
Detail A  
Scale 1:5



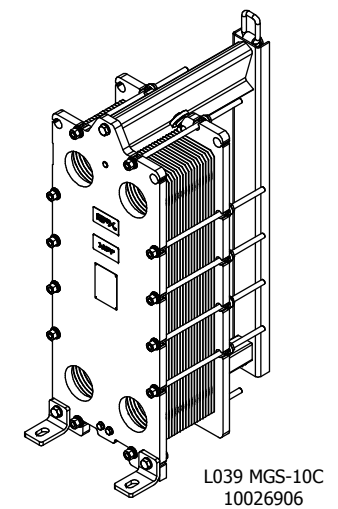
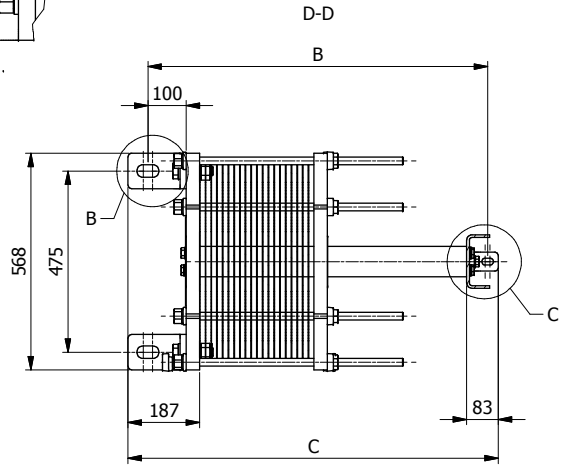
Detail B  
Scale 1:5



Detail C  
Scale 1:5



Size	A	B	C
1	700	890	970
2	950	1140	1220
3	1200	1390	1470



L039 MGS-10C  
10026906

General tolerance for foundation length measures ±10mm