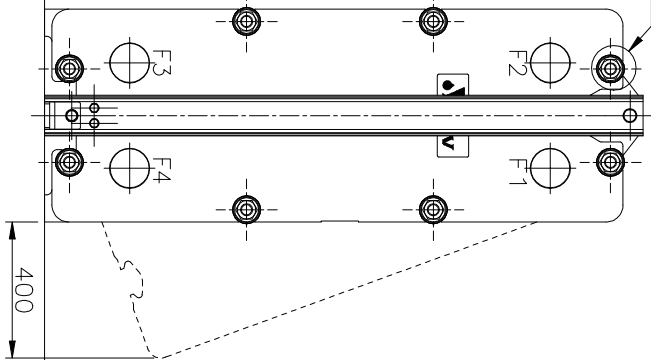
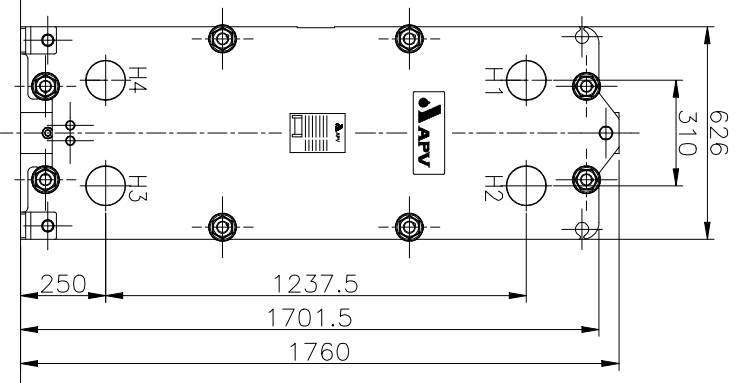
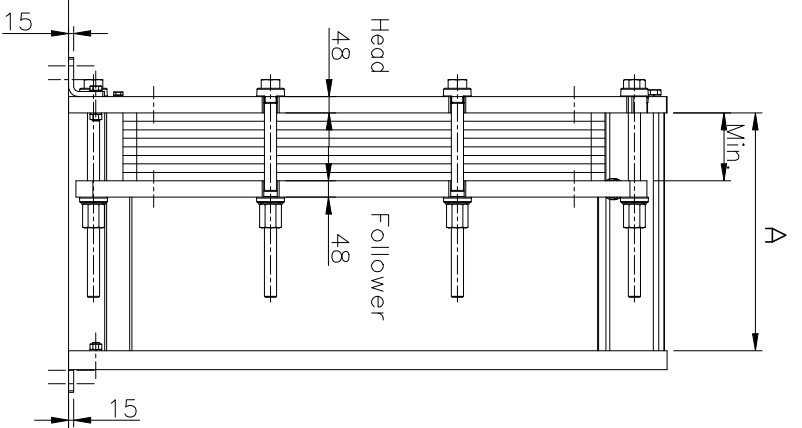


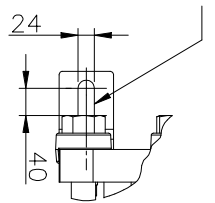
DETAIL C
SCALE 1:10



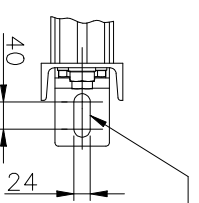
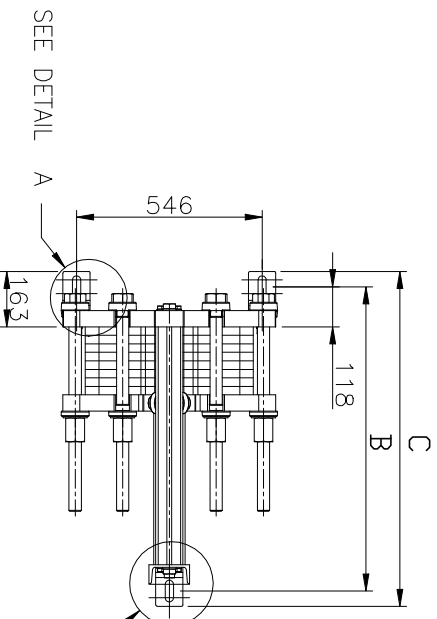
SEE DETAIL C



2 holes for bolting down



DETAIL A
SCALE 1:10



DETAIL B
SCALE 1:10

1 hole for bolting down

Q055 MGS-16			
Size	A	B	C
1	700	895	985
2	950	1145	1235
3	1200	1395	1485
4	1450	1645	1735
5	1700	1895	1985
6	1950	2145	2235
7	2450	2645	2735