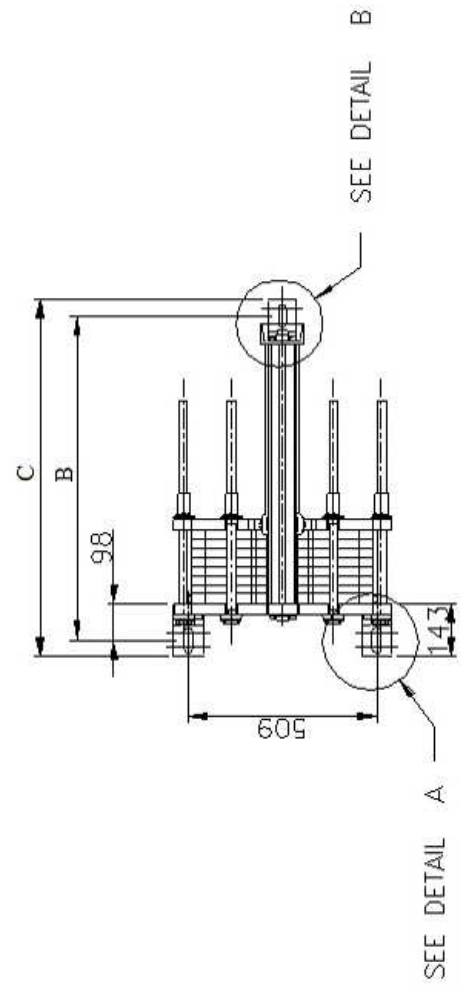
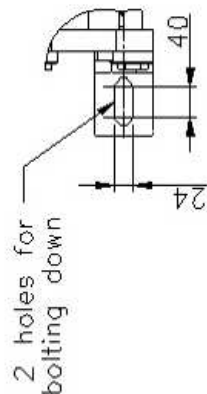
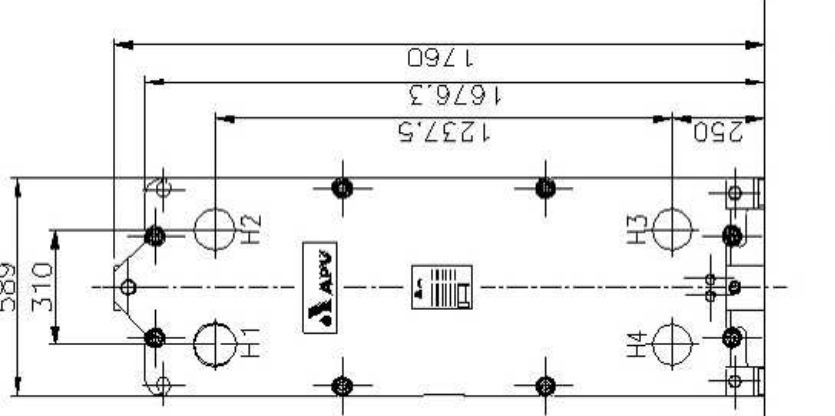
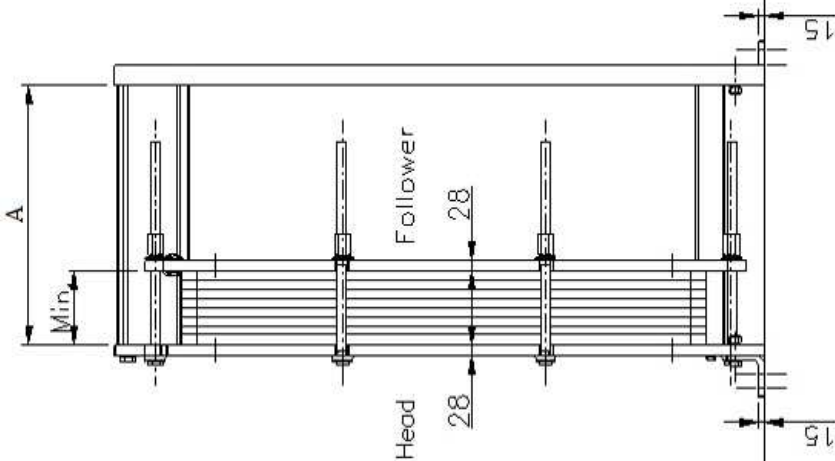
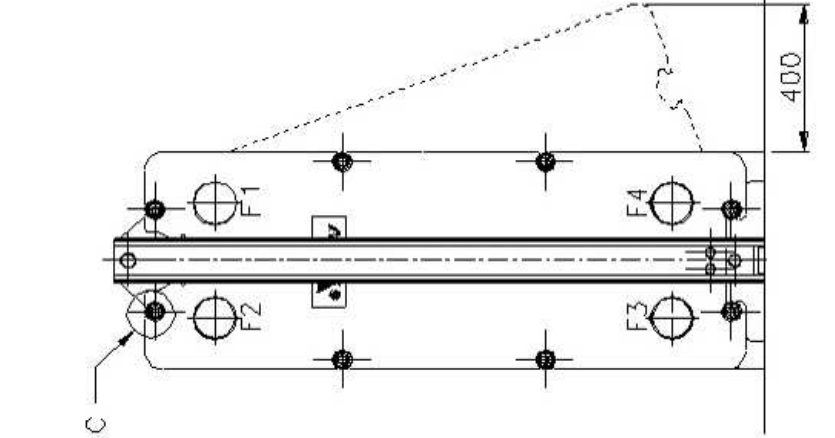
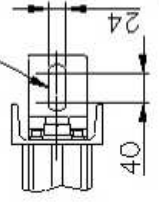


SEE DETAIL C



1 hole for bolting down



Size	O055 MGS-06		
	A	B	C
1	700	875	965
2	950	1125	1215
3	1200	1375	1465
4	1450	1625	1715
5	1700	1875	1965
6	1950	2125	2215
7	2450	2625	2715