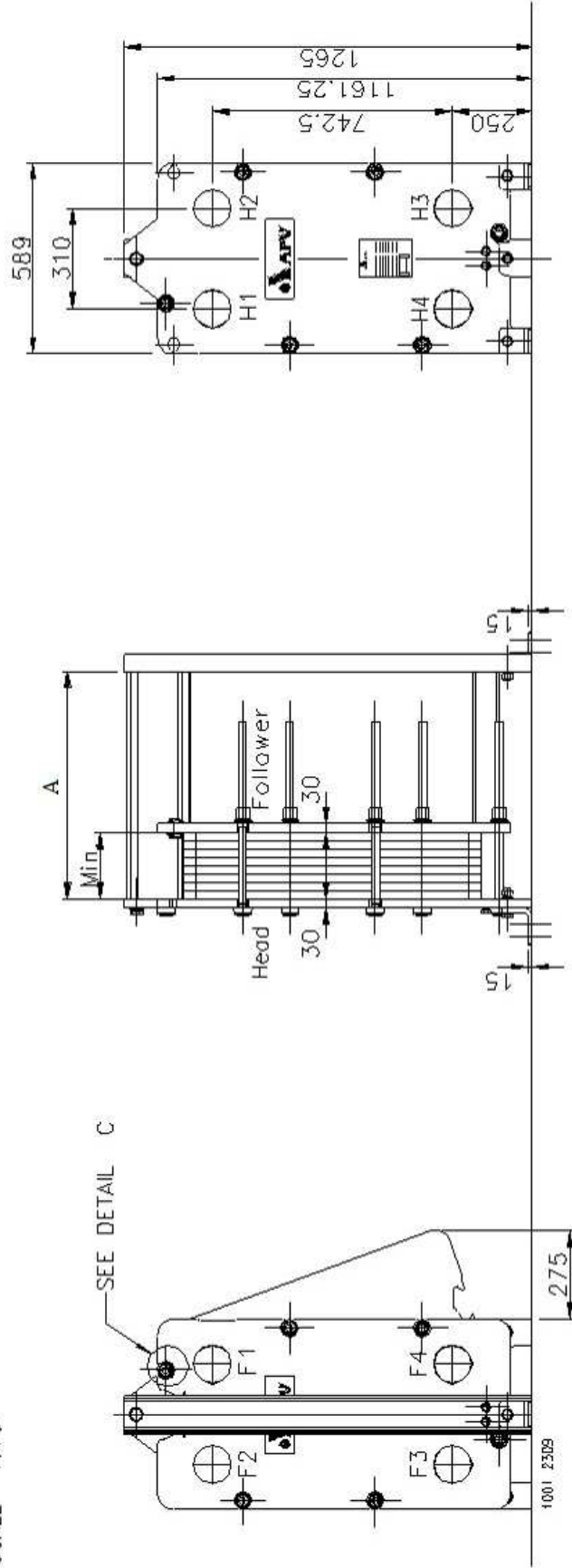
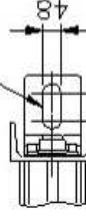


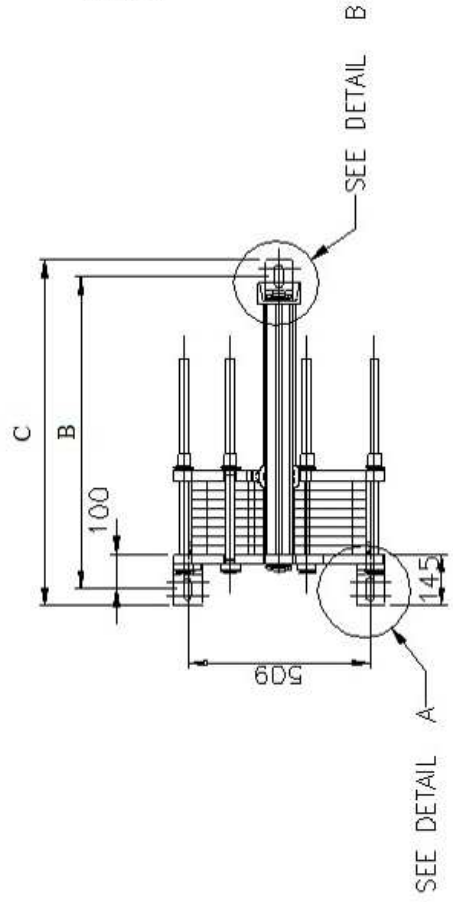
DETAIL C  
SCALE 1:10



1 hole for  
bolting down



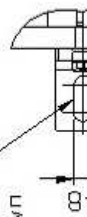
DETAIL B  
SCALE 1:10



SEE DETAIL A

SEE DETAIL B

2 holes for  
bolting down



DETAIL A  
SCALE 1:10

Size	O030 MGS-06		
	A	B	C
1	700	875	965
2	950	1125	1215
3	1200	1375	1465
4	1450	1625	1715
5	1700	1875	1965
6	1950	2125	2215
7	2450	2625	2715