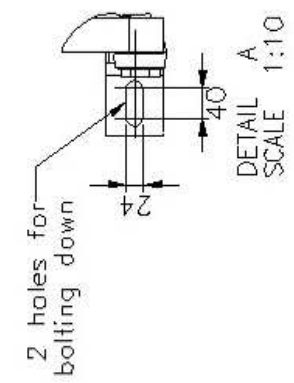
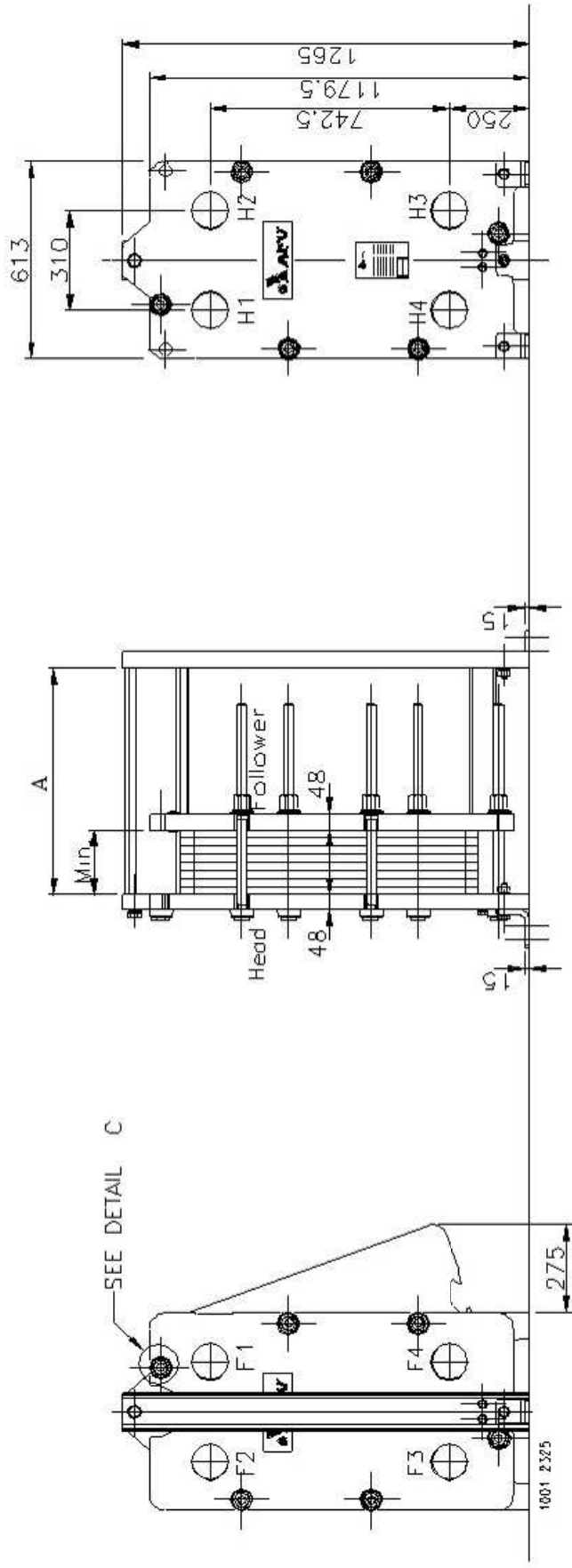
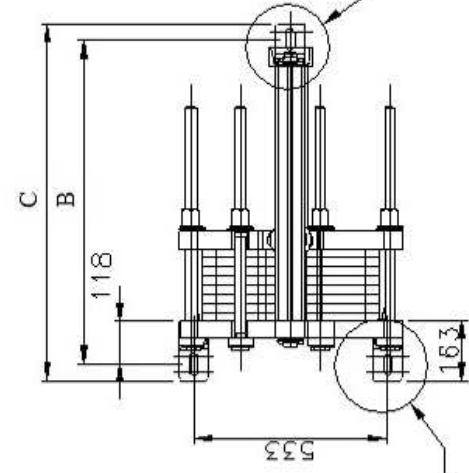


DETAIL C
SCALE 1:10



DETAIL A
SCALE 1:10



DETAIL B
SCALE 1:10

| Size | Q030 MGS-16 | | |
|------|-------------|------|------|
| | A | B | C |
| 1 | 700 | 895 | 985 |
| 2 | 950 | 1145 | 1235 |
| 3 | 1200 | 1395 | 1485 |
| 4 | 1450 | 1645 | 1735 |
| 5 | 1700 | 1895 | 1985 |
| 6 | 1950 | 2145 | 2235 |
| 7 | 2450 | 2643 | 2735 |

SEE DETAIL A

SEE DETAIL B