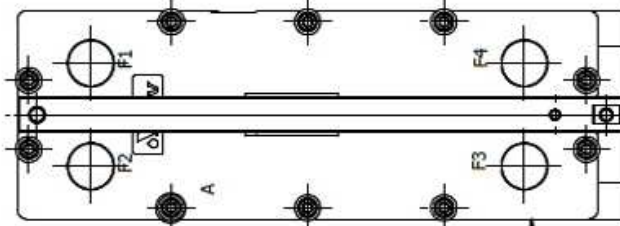
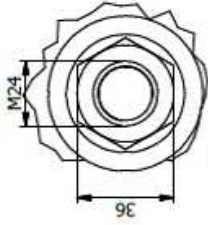
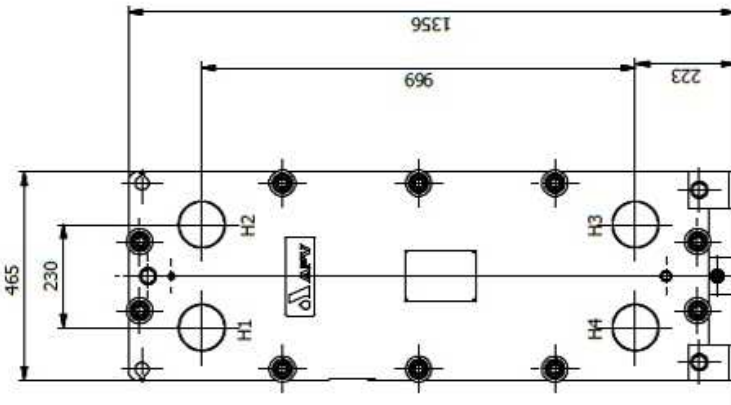
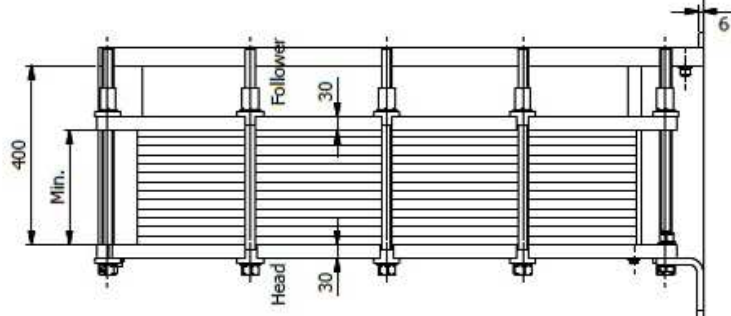


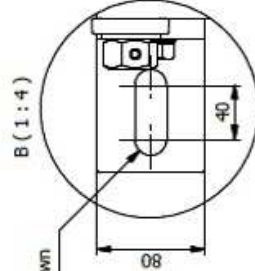
A (1:2)



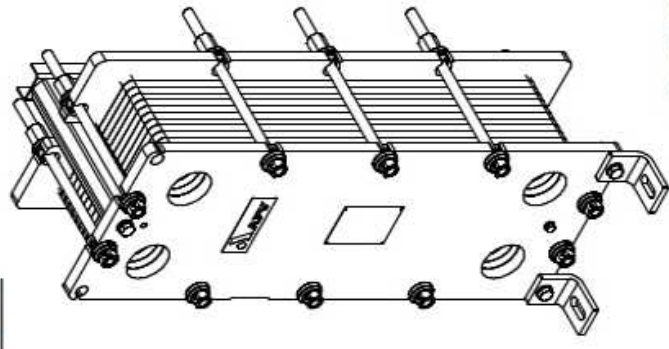
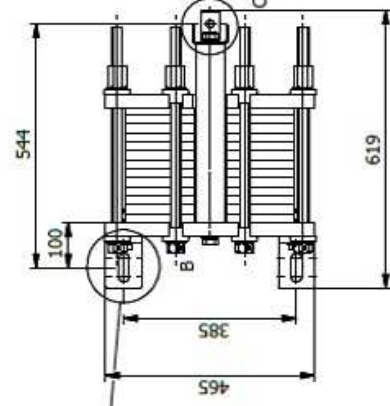
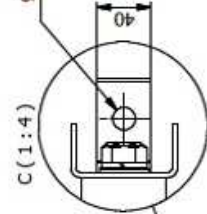
Detail scale (1:12)



2 holes $\phi 24$ for bolting down



$\phi 17$ hole for bolting down



O034 MGS-16C			
Size	A	B	C
1	400	544	619
2	600	744	819
3	800	944	1019
4	1000	1144	1219

General tolerance for foundation length ± 10 mm