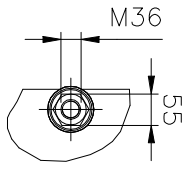
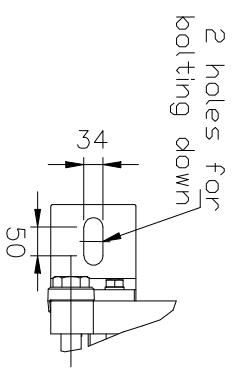
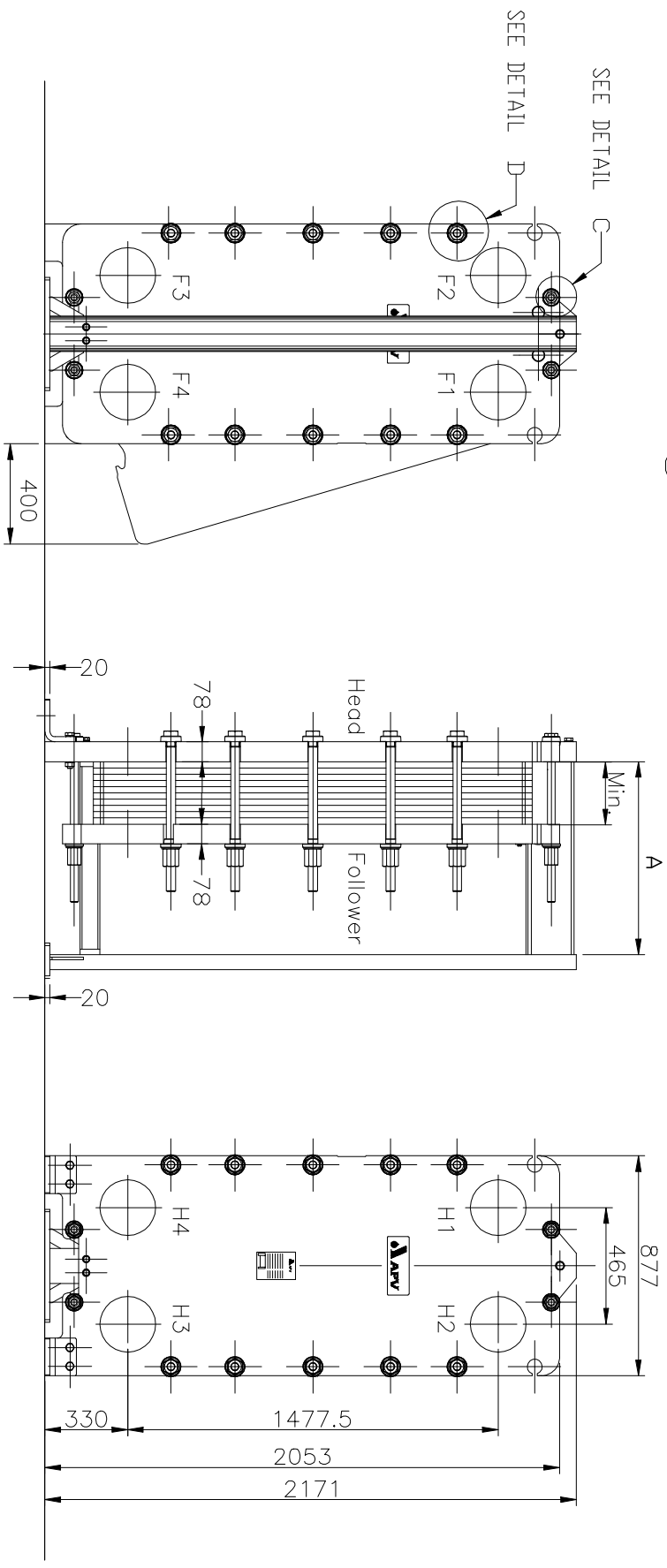


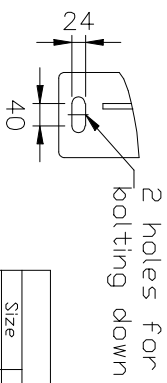
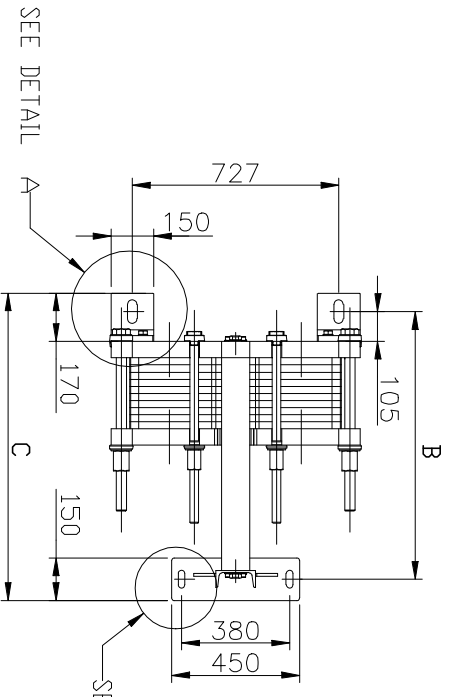
DETAIL C  
SCALE 2:25



DETAIL D  
SCALE 2:25



DETAIL A  
SCALE 2:25



DETAIL B  
SCALE 2:25

| J107 MGS-16C |      |      |      |
|--------------|------|------|------|
| Size         | A    | B    | C    |
| 1            | 700  | 894  | 1034 |
| 2            | 950  | 1164 | 1304 |
| 3            | 1200 | 1414 | 1554 |
| 4            | 1450 | 1664 | 1804 |
| 5            | 1950 | 2164 | 2304 |
| 6            | 2450 | 2664 | 2804 |
| 7            | 2950 | 3164 | 3304 |

General tolerance for foundation length measures  $\pm 10$  mm